

## Titanium Hexagon Flange Nuts

Baoji Xinlian Titanium Industry Co.,Ltd is one of the leading China titanium flange nuts manufacturers and suppliers, and also a professional company equipped with factory, welcome to wholesale titanium hexagon flange nuts, titanium hex flange nuts, titanium flange nuts from us.

## Titanium Hexagon Flange Nuts

Standard: DIN EN 1661,DIN6923, ISO4161, GB6177-86

Material: Pure titanium,Titanium alloy

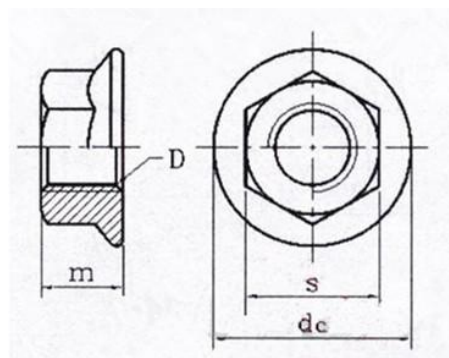
Grade: Gr1,Gr2,Gr5(Ti6al4v),Gr7,Gr9

Specification: M3-M30

Surface Treatment: Polishing,Anodizing, Nitriding

Color: Ti nature,Gold,Blue,Green,Purple,Black,Rainbow

### DIN6923 hexagon flange nuts



Unit:mm

D	P	dc	m		s	
		max	max	min	max	min
M5	0.8	11.8	5	4.7	8	7.78
M6	1	14.2	6	5.7	10	9.78
M8	1/1.25	17.9	8	7.6	13	12.73
M10	1/1.25/1.5	21.8	10	9.6	15	14.73
M12	1.25/1.5/1.75	26	12	11.6	18	17.73
M14	1.5/2	29.9	14	13.3	21	20.67
M16	1.5/2	34.5	16	15.3	24	23.67
M20	1.5/2.5	42.8	20	18.9	30	29.67